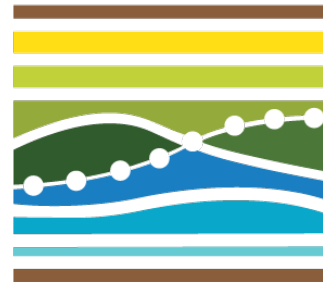


Plum Island Ecosystems LTER

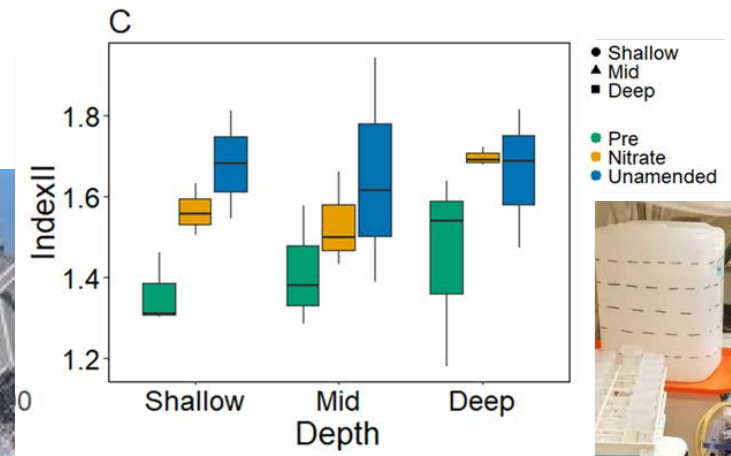


Anne Giblin and Chuck Hopkinson
LTER SCIENCE COUNCIL MEETING 2018
MADISON, WI

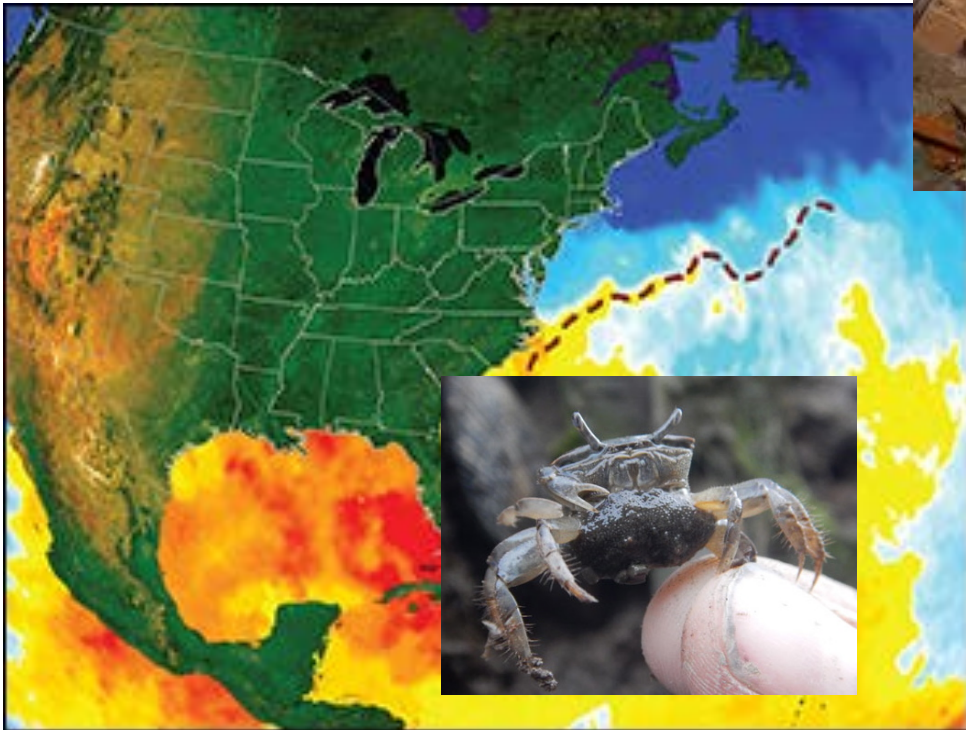


NATIONAL SCIENCE FOUNDATION
LTER NETWORK
LONG TERM ECOLOGICAL RESEARCH

Site News



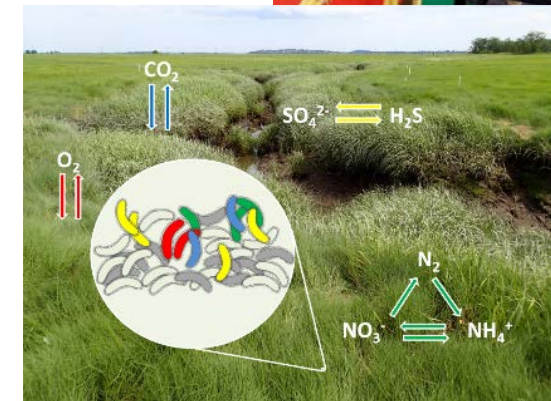
- Shallow
- ▲ Mid
- Deep
- Pre
- Nitrate
- Unamended



Warm Weather is making us Crabby!

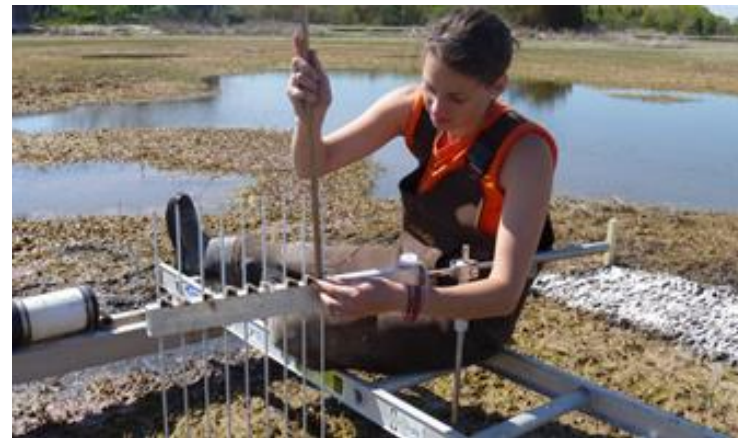


Wild weather is moving stuff around!

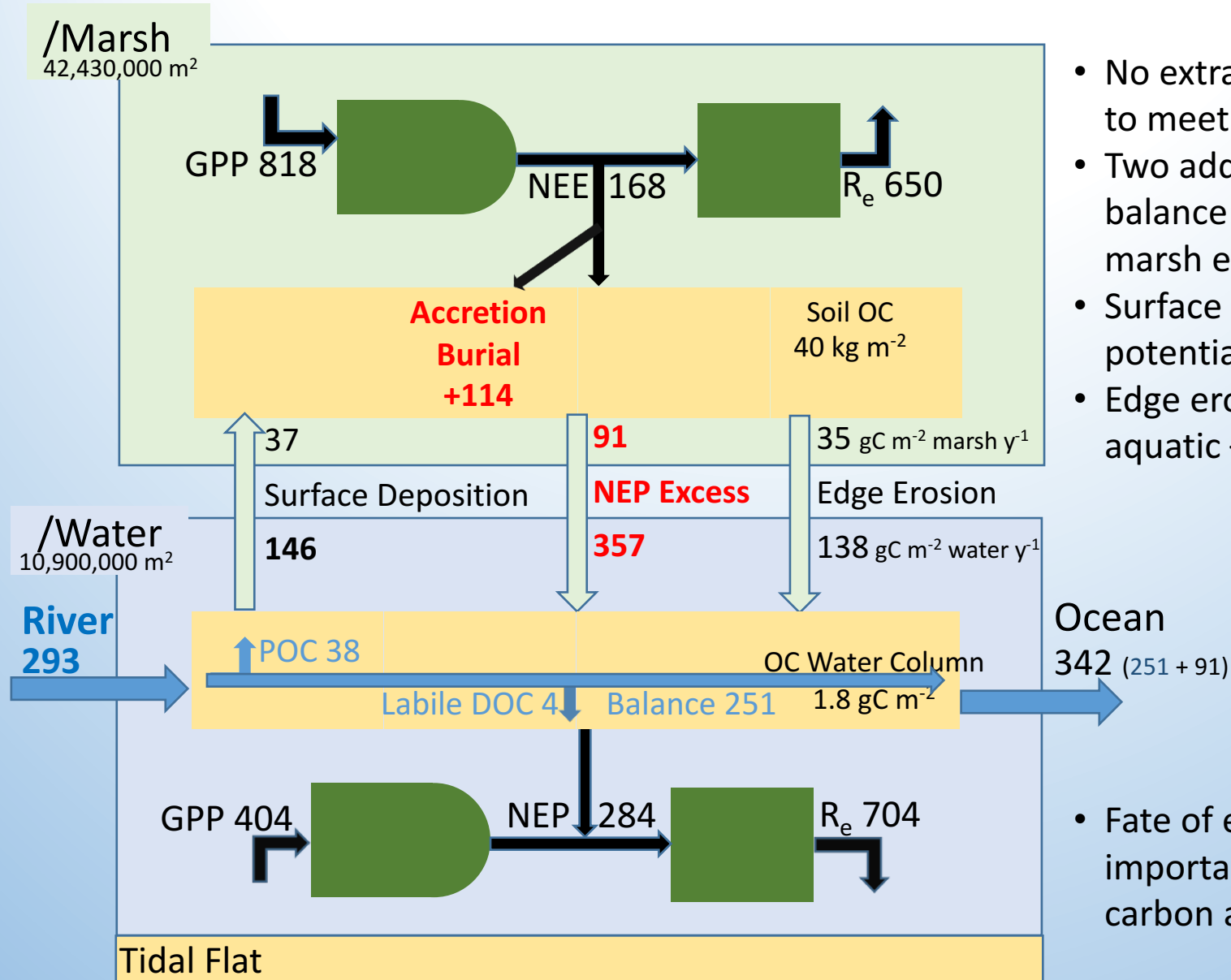


At least the microbes are behaving

Organic Matter Studies land, marsh air, ocean, organisms



Organic Matter - Marsh and Estuary Organic Carbon Balance (per m²)



- No extra OC inputs needed to meet accretion needs
- Two additional terms in OC balance – surface dep and marsh erosion
- Surface dep ~40% of potential NEP “export”
- Edge erosion ~48% of aquatic –NEP

- Fate of eroded marsh OC important question in blue carbon accounting